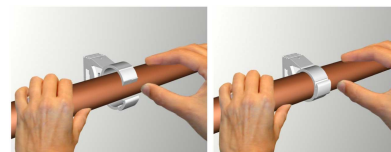


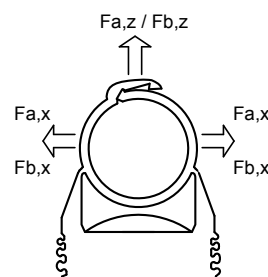
BIS starQuick® Clamps (Grey)

for all pipes Ø 10 - 65 mm



Features and benefits

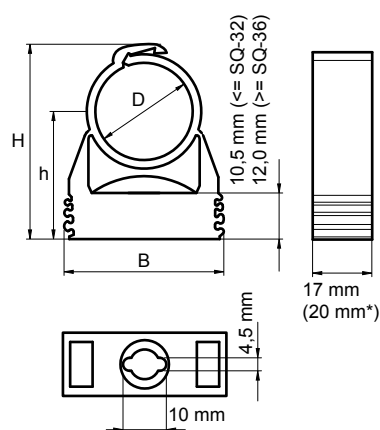
- one-part clamp
- clamp closes by applying pressure to the pipe
- for outdoor use and installations in swimming pool environments, chemical factories, zinc factories, etc.
- due to a patented profile it is possible to tack several clamps to each other
- material: modified PA6 (polyamide), grey (according to RAL 7035)
- resistant to UV, ageing, oil and petrol
- no corrosion, recyclable, halogen free
- temperature resistance: from approx. -40 °C to approx. +90 °C (constant); short to approx. +130 °C



(085 4 012 - 085 4 042)



Part No.	D (mm)	D (")	DN (mm)	Type	B (mm)	H (mm)	h (mm)	Fa,z (N)	Fb,z (N)	Pack 1	Pack 2
085 4 010	10 - 12	3/8	6	SQ-10	29	32	23	170	500	100	1.200
085 4 012	12 - 14	1/2	8	SQ-12	29	34	23	180	550	100	1.200
085 4 015	14 - 16	-	-	SQ-15	29	36	24	200	600	100	1.200
085 4 018	16 - 20	3/4	10	SQ-17	29	40	26	230	700	100	800
085 4 022	20 - 23	1/2	15	SQ-20	29	44	27	270	800	50	600
085 4 028	24 - 28	3/4	20	SQ-25	40	50	31	280	850	50	600
085 4 031	28 - 32	-	-	SQ-28	40	53	32	300	900	50	400
085 4 035	32 - 35	1	25	SQ-32	43	57	34	330	1.000	50	400
085 4 038	35 - 40	-	-	SQ-36	47	66	41	370	1.100	25	300
085 4 042	40 - 44	1 1/4	32	SQ-40	52	70	42	400	1.200	25	200
085 4 050	44 - 50	-	-	SQ-47	57	76	45	430	1.300	25	200
085 4 054	48 - 55	1 1/2	40	SQ-51	63	81	47	470	1.400	15	180
085 4 063	59 - 65	2	50	SQ-59	74	94	55	500	1.500	15	180



* BIS starQuick® Ø 59 - 65 mm

Fa,x = Fa,z / Fb,x = Fb,z.

Alternative

BIS starQuick® Clamps - M6 (Grey)

Complementary

- BIS GOLD
- BIS starQuick® Duo Wallplates
- BIS starQuick® Hammer-in Screw
- BIS starQuick® Fixing Nuts